

## Features 1

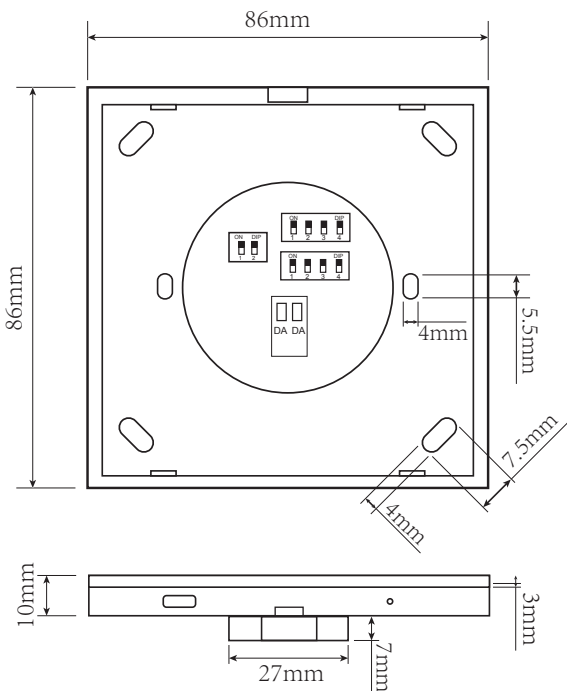
- Meet DALI Standard protocol IEC60929/IEC62386
- Use DALI BUS supply power
- Support broadcast control
- Can control up to 3 groups separately
- Can control up to 4 scenes separately
- Can support many standard electrical wall box
- Interface using tempered glass material, stylish appearance
- Use Blue led button indicator, easy to use
- Start Group and start Scene can be set by dip-switch in back side



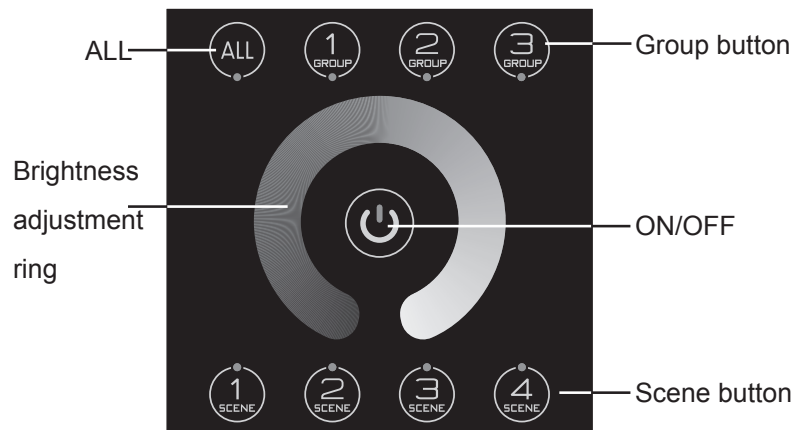
## Technical parameters 2

Voltage: DALI BUS	Output signal: DALI signal(Group/Scene/Broadcast)	
Dimming: DALI	Control scenes: 4	Work temperature: 0 °C - 50 °C
Indicator lights: 9	Control groups: 3	Product size 86(L) *86 (W)*10 (H) mm
Current consumption: <8mA	N.G 110g	Pack size 145(L)*135(W)*48(H) mm

## Dimension 3



## Appearance 4



## Function Guide 5

### ON/OFF

- In OFF status, click the ON/OFF button to enable the panel, lights controlled by the panel will light up with the last closed state.
- In ON status, click on the ON/OFF button can close the panel, and all lights controlled by the panel will turn off. ON/OFF button led indicator will light weakly, indicate the ON/OFF switch position in darkness.

## GROUP Control

- ALL: broadcast, select all the DALI driver connected in this DALI BUS, control up to 64.
- GROUP 1: Select the start group, the “start group ID” can be set by dip-switch in backside
- GROUP 2: Select the group which group ID is “start group ID +1”
- GROUP 3: Select the group which group ID is “start group ID +2”

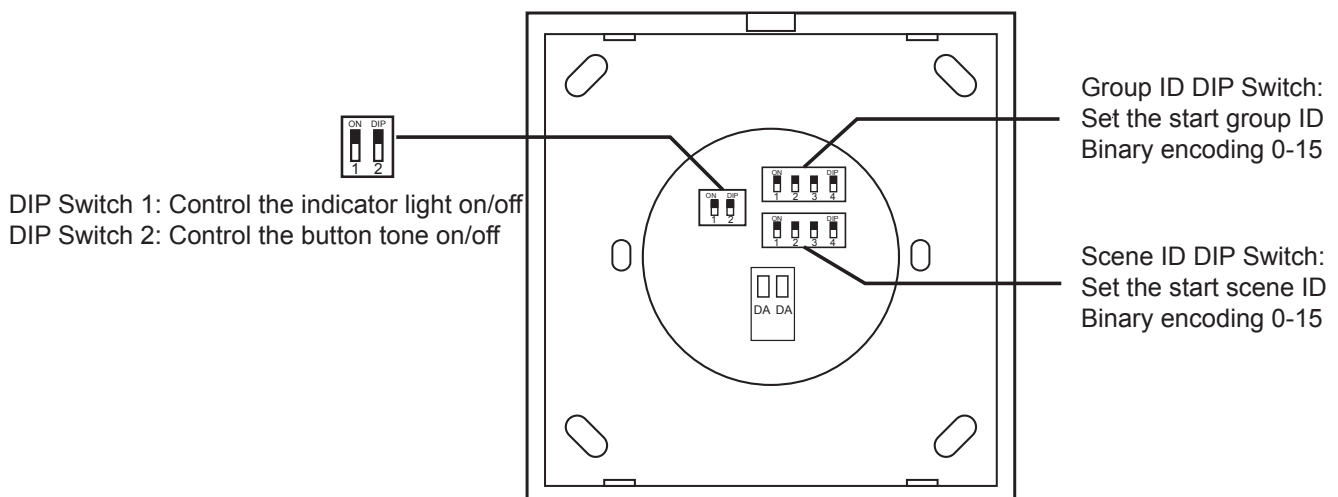
## SCENE Control

- SCENE1: Recall the start scene, the “start scene ID” can be set by dip-switch in backside
- SCENE2: Recall the scene which scene ID is “start scene ID +1”
- SCENE3: Recall the scene which scene ID is “start scene ID +2”
- SCENE4: Recall the scene which scene ID is “start scene ID +3”

## Brightness adjustment

You can touch the ring to adjust brightness with finger. Clockwise touch the brightness adjustment ring, then the brightness of lamps will gradually increase; counter clockwise touch the brightness adjustment ring, then the brightness of lamps will gradually decrease. The darkest brightness is 5%, the brightness is 100%.

## Interface Introduction 6



## Start Group ID Settings

Group ID DIP Switch: for setting “ the start group ID”, the start group ID can be set as 0-15, using binary code.

## Start Scene ID Settings

Scene ID DIP Switch: for setting “ the start scene ID”, the start scene ID can be set as 0-15, using binary code.

## Binary code table

0 indicates that the DIP switch to the OFF, 1 means that the DIP switch to the ON.

The table as follows

DIP Switch	Values	DIP Switch	Values
0-0-0-0	0	0-0-0-1	8
1-0-0-0	1	1-0-0-1	9
0-1-0-0	2	0-1-0-1	10
1-1-0-0	3	1-1-0-1	11
0-0-1-0	4	0-0-1-1	12
1-0-1-0	5	1-0-1-1	13
0-1-1-0	6	0-1-1-1	14
1-1-1-0	7	1-1-1-1	15

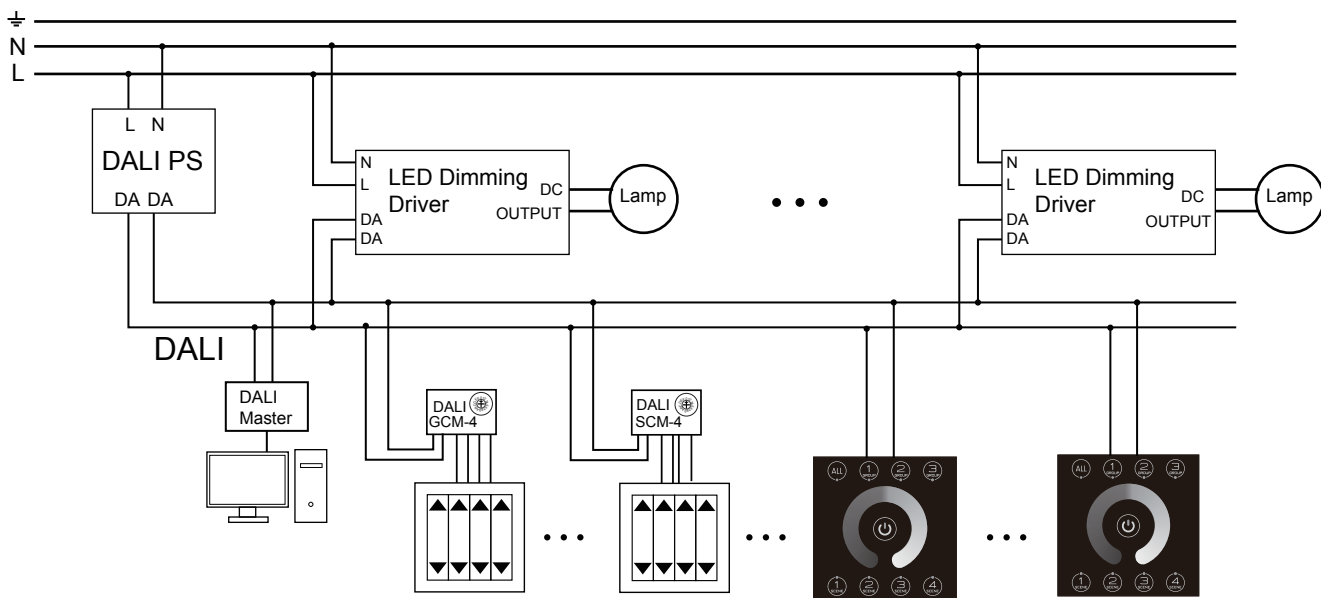
### Button Indicator Settings

Use the DIP switch 1 to set button indicator light. When set the DIP switch 1 to "ON", the button indicator will light up when touch the button; otherwise, the button lights are disable.

### Button Tone Settings

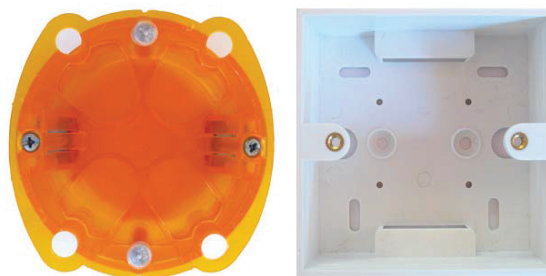
Use the DIP switch 2 to set button tone. When set the DIP switch 2 to "ON", the button tone is enable; otherwise, the button tone is disable.

### DALI Diagram 7

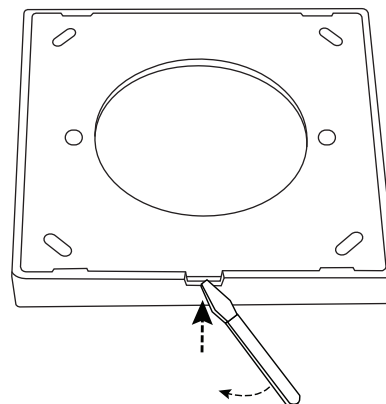


### Installation guide 8

1. Mount an electrical box inside the wall

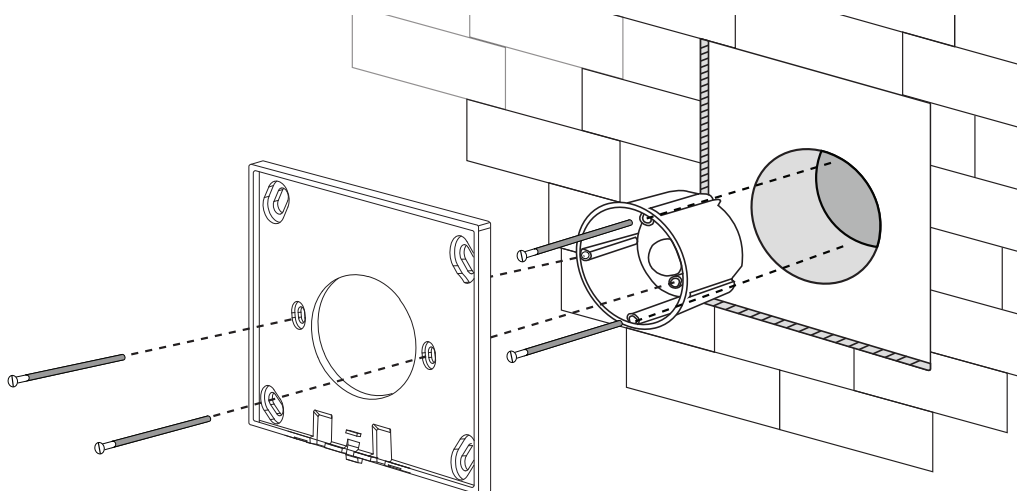


2. To separate the glass panel and the bottom box of the controller with a screwdriver along the gap of the bottom box.



3. To lock the bottom box on the wall and fix it with the screwdriver.

4. Connect the wires



5. To buckle the glass panel to the bottom box.

