

DAYLIGHT SENSOR



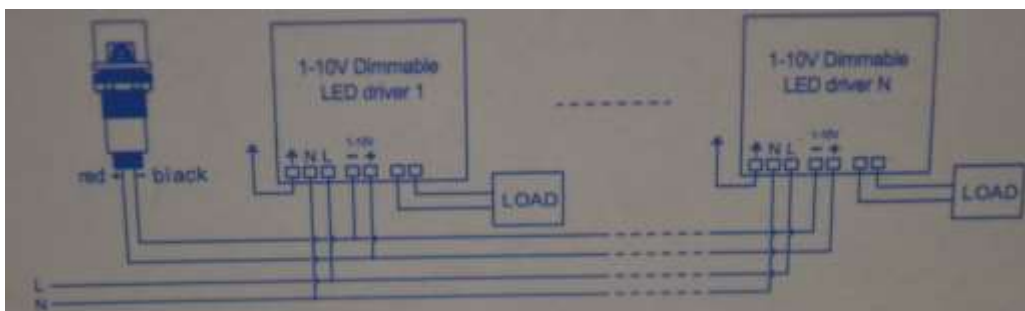
SKU 1369 (VT – 8059)

We present to your attention our latest product.

Daylight sensor supplies a simple and effective solution for daylight harvesting. Connecting to 1-10V Power source and using with LED dimmable driver.

The illuminations level of lamps will get darker when ambient Light gets brighter. When daylight is insufficient, the lamp will be in 100% Illumination level, and turns to 1 % Level when daylight is sufficient enough, then gradually back to 100% level when it is getting darker.

TECHNICAL SPECIFICATION:



- **Power Source : (1 – 10) V**
- **Dimming : (1% - 100%)**
- **Detection Range : 360' D**
- **Protection Rating : IP20**