

## Features of the Products:

- \* With Isolated Driver, more safe and stable.
- \* More tubes can be connected together to fire.
- \* 600/900/1200/1500 LED tubes are available.
- \* Longer life than a fluorescent tube min.50,000hours.
- \* 70%-80% Energy-saving over fluorescent tubes.
- \* No flickering or buzzing and RF interference.
- \* With CE, ROHS, FCC Approval

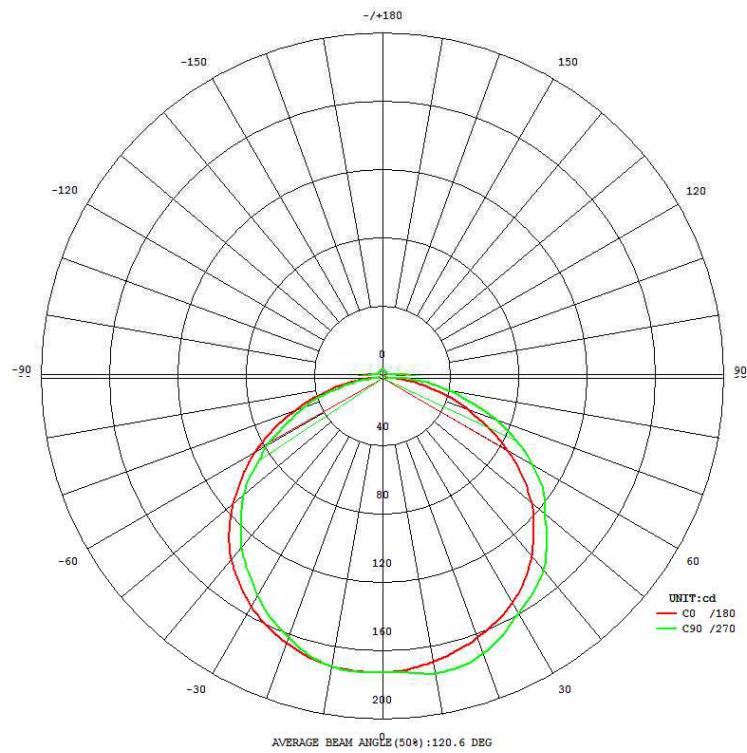
## Application area:

- \* Factories & Offices.
- \* Hospitals & Hotels.
- \* Schools, Colleges & Universities.
- \* Conference / Meeting rooms.
- \* Commercial Complexes, Shopping mall and living room.
- \* Places where need energy saving and high color rendering index lighting.

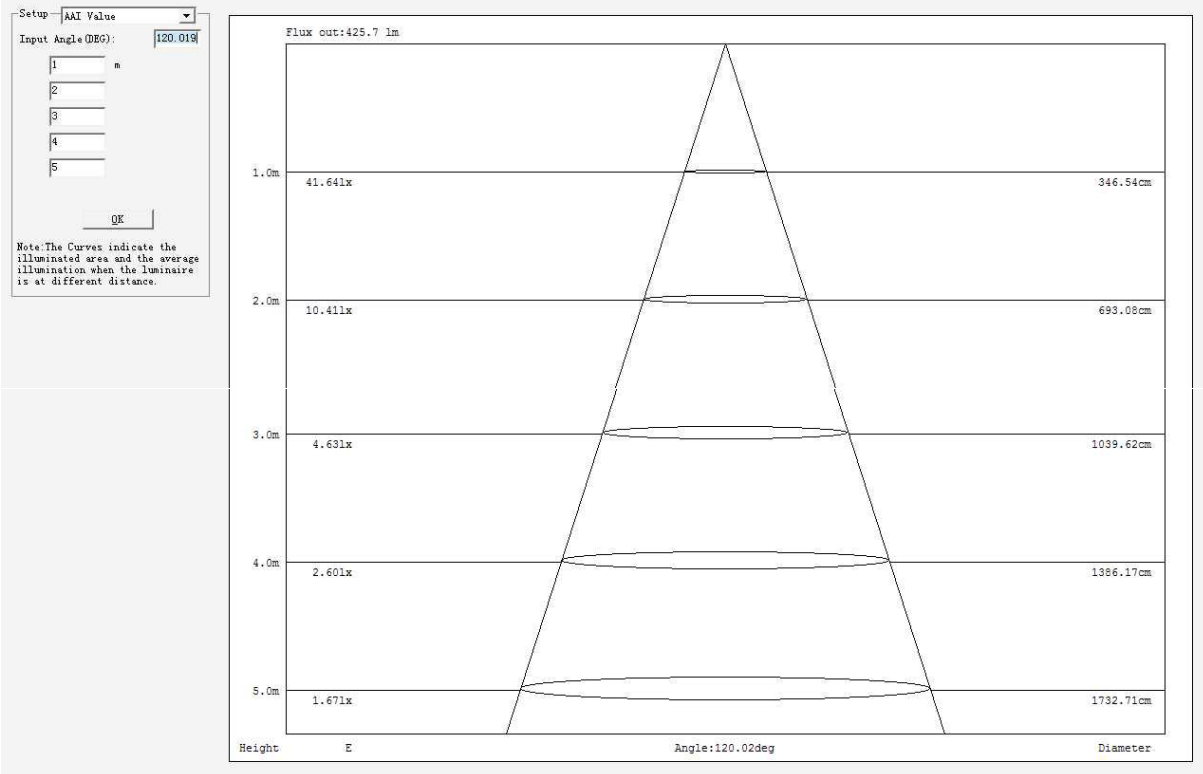
## Parameter

Dimension: <b>1200mm * 26mm</b>	Power: <b>18W</b>
Input Voltage: <b>AC85-265V</b>	LED Type: <b>3528 SMD</b>
LED quantity: <b>288pcs</b>	Front Lens: <b>120° Viewing angle</b>
Color Temperature: <b>6000-7000k</b>	CRI: <b>≥75Ra</b>
Luminous flux: <b>1600 ± 5%lm</b>	Power Factor: <b>&gt;0.92</b>
Life time: <b>&gt;40,000 hrs</b>	Working Environment: <b>Indoor</b>
Housing Material: <b>Aluminum Alloy+PC</b>	
Working Temperature: <b>-10°C ~ +40°C</b>	
Storage Temperature: <b>-20°C ~ +60°C</b>	

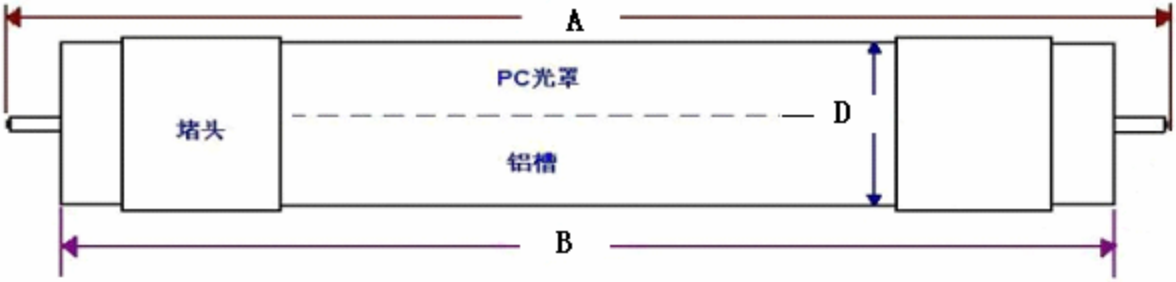
## Spectral distribution curve



## Effective average illuminance



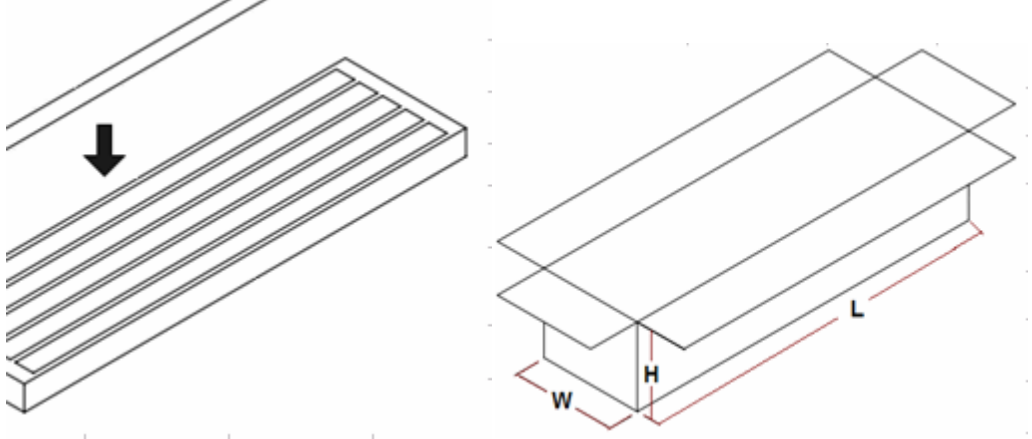
### Outline Dimension



Part NO.	A(mm)	B(mm)	D(mm)
FT8120A-288W7B1N-H3	1212±1	1198±1	26±0.5

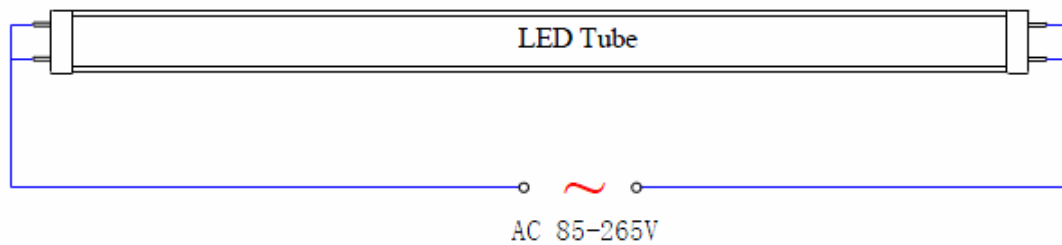
### Packing

- \* Packing QTY/Carton: 25 pcs
- \* N.W / PCS: 0.37kg
- \* N.W / Carton: 8.8kg
- \* G.W / Carton: 10.8kg
- \* Carton Size: L\*W\*H=1252\*217\*217mm

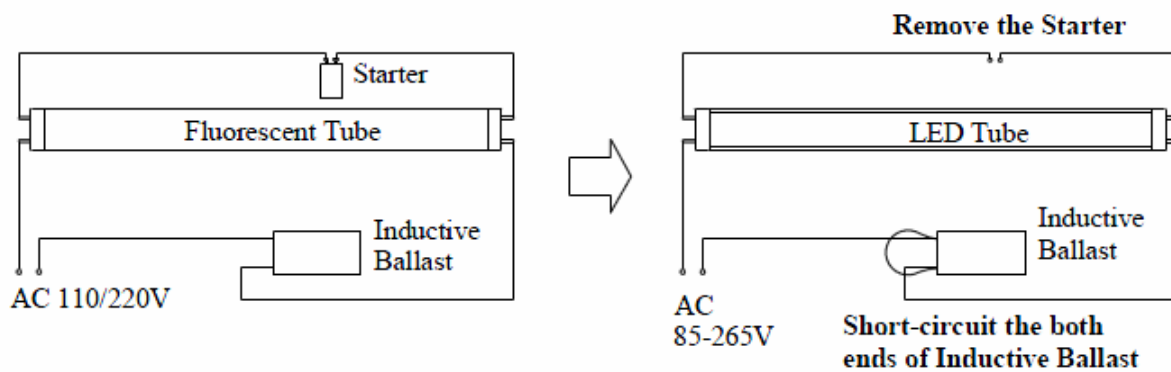


## Installation

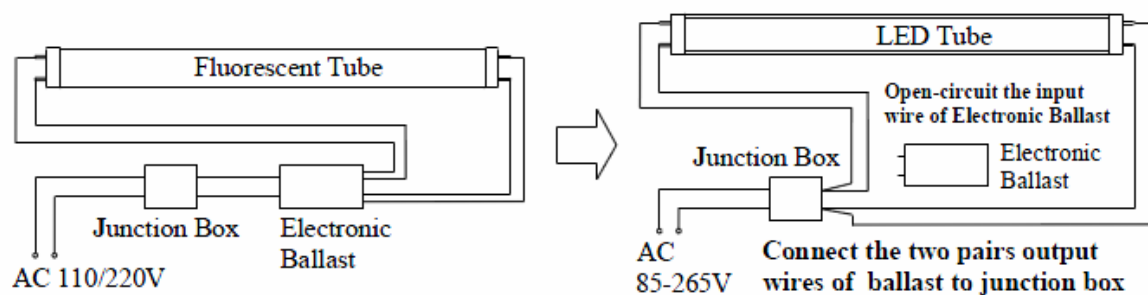
### A. Directly through the new joint use of electricity



### B. Lamp bracket of Inductive Ballast



### C. Lamp bracket of Electronic Ballast



### Remarks :

1. Please install the lamp by professionals.
2. Please ensure the right voltage before working.
3. Do not touch the metal parts on the ends while the light tubes are working.
4. Switch OFF the power for replacing the light tubes.